

# Exhaust Systems/Accessories



Article No.: 631000140



Article No.: 6000140311



Article No.:  
 110 V - 120 V: 6000153338 (+ V001501 for LE ..)  
 200 V - 208 V: 6000158929 (+ V001502 for LE ..)  
 220 V - 240 V: 6000137641 (+ V001503 for LE ..)

## Exhaust Vent

Exhaust vent for collection and upstream direction of escaping gases

## Chimney with Fan

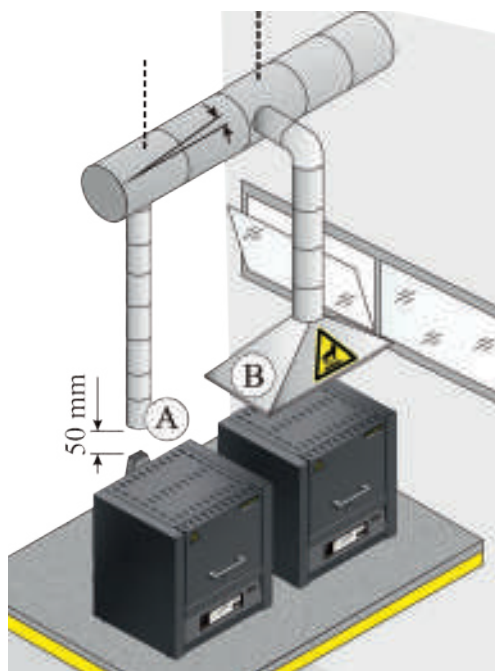
Exhaust gases are better removed from the furnace and discharged. The B500 - P580 controllers can be used to switch the chimney with fan automatically (not for models L(T) 15.., L 1/12, LE 1/11, LE 2/11).\*

## Catalytic Converter with Fan

Organic components are catalytically cleaned at about 600 °C, broken into carbon dioxide and water vapour. Irritating odors are thus largely eliminated. The B500 - P580 controllers can be used to switch the catalytic converter automatically (not for models L 1/12, LE 1/11, LE 2/11).\*

The catalytic converter with fan has two connectors, one is connected to the furnace and the other to the power supply. Models LE 6 - LE 24 require an additional box for switching it on and off.

\* Note: If other controller types are used an adapter cable for connection to mains supply has to be ordered separately. The device will be activated by plugging in the socket.



Various ways of removing the exhaust air

## Exhaust Air Extraction

When exhaust gases are generated during the process it is mandatory to guide them outside in an adequate way. The relevant operating instructions must be always taken into consideration. When exhaust gas pipings are installed it is always necessary that a local ventilation technician lays out the system in accordance to the real environment.

There are different possibilities to guide the exhaust gases out. In many cases the furnace is positioned under a laboratory extraction provided by the customer (B). In these cases the use of an exhaust vent is recommended just to guide the gases upwards.

For this purpose metal exhaust gas pipes with NW 80 to NW 120 (A) can be used. They must be installed continuously rising and fastened to the wall or ceiling. Center the pipe over the furnace vent (for models with vent fan or catalytic converter, NW 120 is necessary. The exhaust gas pipe must not be installed with a tight fit to the furnace vent pipe since this would prevent any bypass effect. This is necessary so that not too much fresh air is sucked in by the furnace.

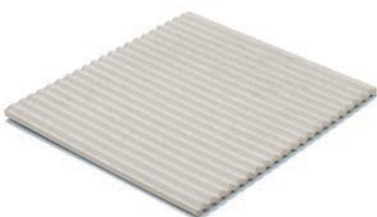
## Charging Rack to Load the Furnace in Different Levels



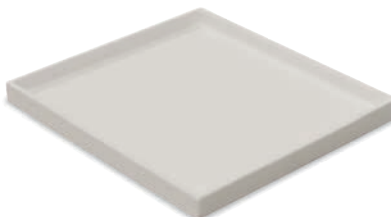
Charging rack for model	Articel No.	Tmax in °C	Outer dimensions in mm			Number of levels	Dimensions shelf (level 1) in mm			Max. weight per level in kg
			W	D	H		W	D	H	
L(T) 9/11, LV(T) 9/11, LE 14/11	6000079693	800	215	219	98	2	202	202	45	2.0
L(T) 15/11, LV(T) 15/11	6000078459	800	215	319	98	2	202	302	45	3.0
L(T) 24/11, LE 24/11	6000156108	800	243	278	141	2	230	262	88	3.5
L(T) 40/11	6000062274	800	270	415	143	2	270	392	80	3.5

Select between different bottom plates and collecting pans for protection of the furnace and easy loading (for models L, LT, LE, LV and LVT on pages 6 - 15). Steel collecting pans may deform/distort under heat. For batches that are sensitive to tipping, ceramic shelves to protect the furnace bottom are recommended..

### Ceramic Ribbed Plate, Tmax 1200 °C



### Ceramic Collecting Pan, Tmax 1300 °C



### Stainless Steel Collecting Pan, Tmax 1100 °C



For models	Ceramic ribbed plate		Ceramic collecting pan		Stainless steel collecting pan (Material 1.4828)	
	Articel No.	Dimensions in mm	Articel No.	Dimensions in mm	Articel No.	Dimensions in mm
L 1, LE 1	691601835	110 x 90 x 12.7	-	-	691404623	85 x 100 x 20
LE 2	691601097	170 x 110 x 12.7	691601099	100 x 160 x 10	691402096	100 x 180 x 20
L 3, LT 3, LV 3, LVT 3	691600507	150 x 140 x 12.7	691600510	150 x 140 x 20	691400145	150 x 140 x 20
L 5, LT 5, LV 5, LVT 5	691600508	190 x 170 x 12.7	691600511	190 x 170 x 20	691400146	190 x 170 x 20
LE 6	691600508	190 x 170 x 12.7	691600511	190 x 170 x 20	6000095954	160 x 200 x 20
L 9, LT 9, LV 9, LVT 9, N 7	691600509	240 x 220 x 12.7	691600512	240 x 220 x 20	691400147	240 x 220 x 20
LE 14	691601098	210 x 290 x 12.7	-	-	691402097	210 x 290 x 20
L 15, LT 15, LV 15, LVT 15, N 11	691600506	340 x 220 x 12.7	-	-	691400149	220 x 340 x 20
L 24, LT 24	691600874	340 x 270 x 12.7	-	-	691400626	270 x 340 x 20
L 40, LT 40	691600875	490 x 310 x 12.7	-	-	691400627	310 x 490 x 20

### Gloves, Tmax 650 °C

For protection of the operator when loading or removing hot materials



Article No.:  
493000004

### Gloves, Tmax 700 °C

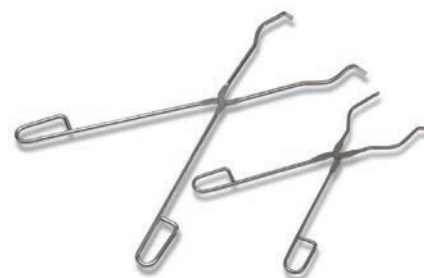
For protection of the operator when loading or removing hot materials



Article No.:  
491041101

### Charing Tongs

For easy loading and unloading of the furnace



Article No.:  
493000002 (300 mm)  
493000003 (500 mm)